

## Grade 10 | Computer Hardware | Essay Paper

1. A tourist takes photographs of interesting places in Sri Lanka using the built-in camera of his tablet computer and saves the captured images on the hard disk of the device. Later, he edits the images using the touch screen and copies them to a USB drive. (2015)

Identify and write down two input devices and two storage devices used in the above scenario.

2. Consider the following scenarios. (2015)

X - A bank providing internet banking facilities to its customers to transfer money, pay bills such as electricity, telephone etc.

Y - An organization using an isolated computer network within a building (i.e., without any connection to the outside world)

Z - A network linking a head office of a company in Colombo with its branches in the city.

Identify and write down the type of computer network involved in each of the above instances X, Y and Z from the list given below:

List {Local Area Network (LAN), Metropolitan Area Network (MAN), Wide Area Network (WAN)}

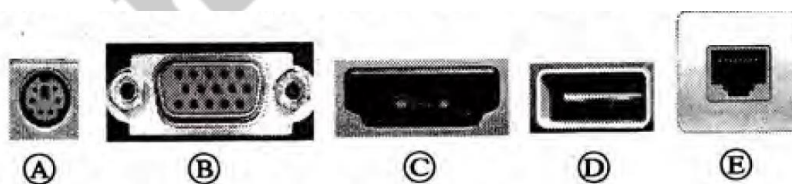
3. The first column in the following table shows activities related to different devices indicated by letters **A** to **D**. The second column shows the Ports required to connect these devices to a computer. However, activities and ports are not in the correct order. (2016)

| Activity   | Port       |
|--|------------|
| <b>A</b> - Selecting a menu option using an optical mouse            | RJ 45      |
| <b>B</b> - Listening to a song using a headphone                     | HDMI       |
| <b>C</b> - Accessing the Internet through a Local Area Network (LAN) | Audio Port |
| <b>D</b> - Show a video clip with a multimedia projector.            | USB        |

Identify the correct port from the second column to connect each of the devices indicated in the first column.


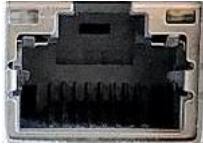


Write down the letter for the activity and the relevant port in your answer book.

4. The following ports labelled **A - E** are found in a computer. (2017)





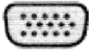


Write down the relevant label of the port related to the following questions:

- Which port can be used to access Internet using a network (UTP) cable?
  - What part can he used to connect a digital camera to copy photos into the computer?
5. Assume that a desktop computer was purchased and you are asked to connect different peripheral devices to it. Tasks column shown below lists the tasks to be carried out for this purpose and the Port column shows ports or connectors to be used. Match each task to the relevant port and write down the task number and the matching port label. (2018)

| Task  | Port   |
|---|--|
| Task 1 - Connect the LED display to the system unit | A -  |
| Task 2 - Connect keyboard and the mouse             | B -  |
| Task 3 - Connect the network cable                  | C -  |
| Task 4 - Connect the power cable                    | D -  |

6. Consider the following diagram with images of some computer ports labelled A - E. (2019)

|                   |   |   |   |  |   |
|-------------------|---|---|---|--|---|
| Image of the port |  |  |  |  |  |
| Label             | A   | B   | C   | D  | E   |

Identify the name of each port using the list given below. Write down the label of each port and its matching port name.

List: {Audio, HDMI, RJ45, USB, VGA}

7. Consider the following incomplete statements. (2020)

A) The ... A ... is the primary storage device of desktop computers.

Identify the matching term for each of the labels A from the list of terms given below. Write down the label and the matching term in the label → term format.

List of terms: {hard disk, systems software, application software, RAM}

8. The following table lists four labels and descriptions related to computer networking. (2019)

| Label | Description  |
|-------|--|
| A     | Operates as a secured barrier between the Internet and a given network |
| B     | Example for a guided transmission media                                |
| C     | Connects two different networks  |
| D     | Mode of communication used in telephone conversation                   |

Match the most suitable term from the list of terms given below and write down the relevant term against each label in the label → term format.

List of terms: {Twisted pair, Full duplex, Half duplex, Gateway, Firewall, Wi-Fi, DNS Server}